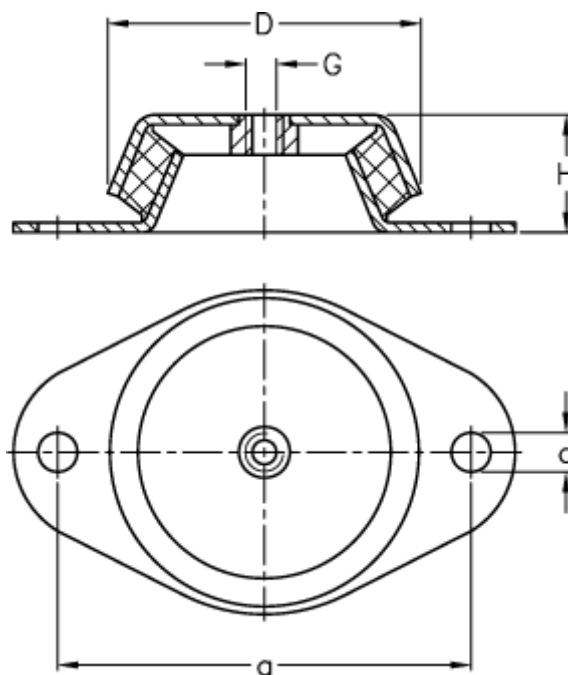


Article number: 51836413100010

Description: Vibration damper GMF 92/45-M10

Measures



a	= 110
D	= 92
d	= 10.2
G	= M10
H	= 45
Load (daN)	= 300